



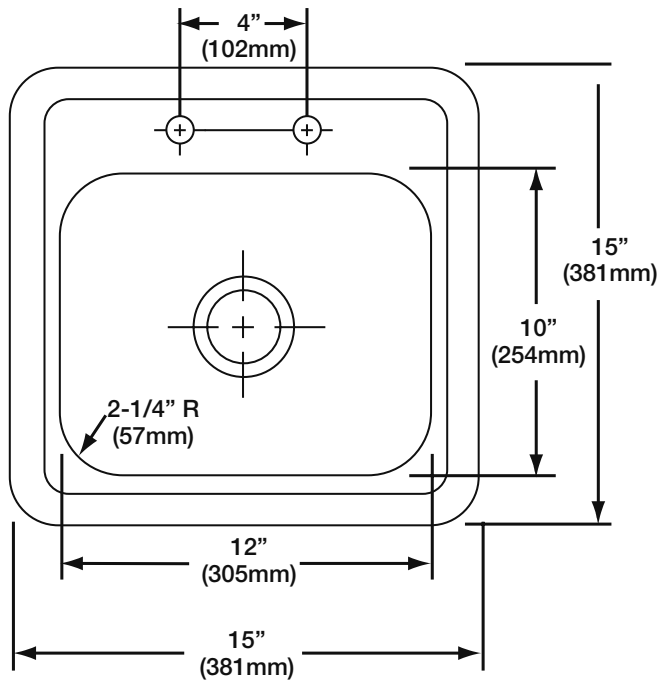
# Stainless Steel Sinks

**GL151552** | 15X15X5 SGL BAR SINK DI 23GA 2HL SS

## SINK DIMENSIONS (INCHES)\*

Dimensions	Overall		Inside Bowl			Cutout in Countertop (1-1/2" (38mm) Radius Corners)		No. of 1-1/2" (38mm) Dia. Faucet Holes 4" (102mm) Center	Minimum Cabinet Size
	L	W	L	W	D	L	W		
<b>15x15</b>	15 (381mm)	15 (381mm)	12 (305mm)	10 (254mm)	5-1/8 (130mm)	14-3/8 (365mm)	14-3/8 (365mm)	2	18 (457mm)

\*Length is left to right. Width is front to back.



Bowl Depth is 5-1/8"

